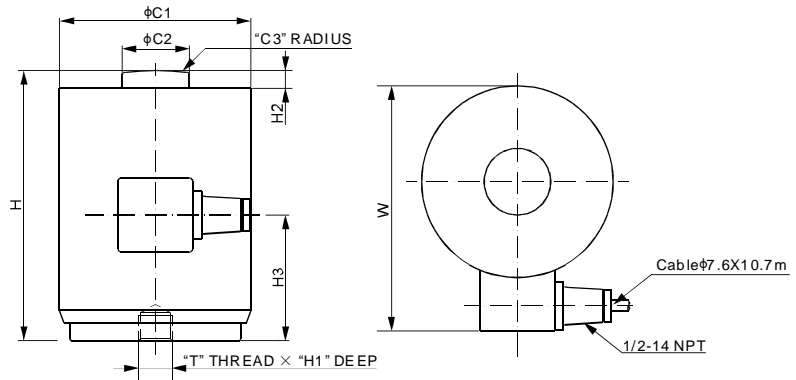


# 106PH; 106PH20



## 合金钢



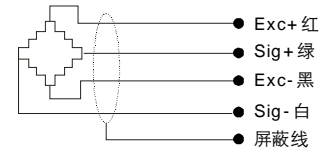
CE RoHS

### 尺寸

量程	C1	C2	C3	H	H1	H2	H3	W	T
lb/inches									
5,000...10,000	3.53	1.00	6.00	4.00	0.40	0.40	1.85	4.71	1/2-20 UNF
20,000...25,000	3.53	1.00	6.00	5.00	0.40	0.40	2.32	4.71	1/2-20 UNF
50,000	4.25	1.50	6.00	6.00	0.57	0.50	2.79	5.43	3/4-16 UNF
100,000	5.03	1.75	12.00	8.50	0.57	0.63	3.94	6.21	3/4-16 UNF
150,000...200,000	6.53	2.50	12.00	11.13	0.57	0.63	5.12	7.71	3/4-16 UNF
kg/mm (由上述尺寸转换)									
2,268...4,535.9	89.7	25.4	152.4	101.6	10.2	10.2	47.0	119.6	1/2-20 UNF
9,071.8...11,339.8	89.7	25.4	152.4	127.0	10.2	10.2	58.9	119.6	1/2-20 UNF
22,679.6	108.0	38.1	152.4	152.4	14.5	12.7	70.9	137.9	3/4-16 UNF
45,359.2	127.8	44.5	304.8	215.9	14.5	16.0	100.1	157.7	3/4-16 UNF
68,038.9...90,718.5	165.9	63.5	304.8	282.7	14.5	16.0	130.1	195.8	3/4-16 UNF

### 技术参数

相关量程	lb	5K; 10K	20K; 25K	50K	100K	150K; 200K
产品毛重	kg/lb	-	-	7 / 16	-	-
灵敏度	mV/V	3 ± 0.1% for 106PH; 2 ± 0.1% for 106PH20				
零位输出	mV/V	± 0.02				
非线性	%	< ± 0.030				
重复性	%	< ± 0.017				
滞后误差	%	< ± 0.017				
蠕变	%	< ± 0.030				
阻抗	Ω	350 ± 3.5				
额定激励电压	V(DC/AC)	10 (15V 最大)				
绝缘阻抗	GΩ	> 2 [ 50 VDC ]				
正常工作温度范围	°C/°F	-10...40 / 14...104				
安全极限载荷	% of full scale	150				
破坏极限载荷	% of full scale	300				
密封方式		密封, IP67				



### 可互换产品

制造商	型号
<b>106PH</b>	
Vishay Revere Transducers.....	93*
<b>106CS20</b>	
Vishay Revere Transducers.....	92*

\* Revere的93及92为不锈钢结构

圆盘和罐式称重传感器