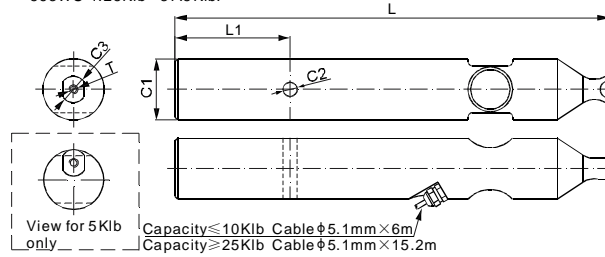
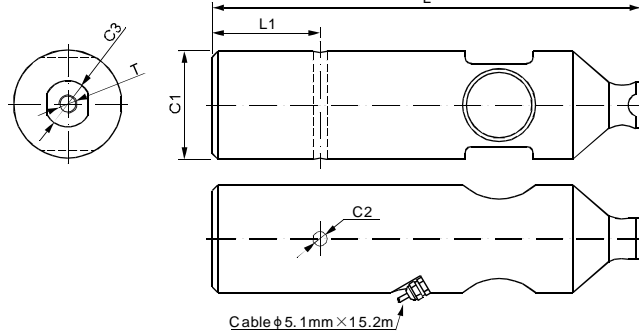




563WS-1.25Klb---37.5Klb:



563WS-50Klb:



CE Ex RoHS IP 67

尺寸

量程	C1	C2	C3	L	L1	T
lb/inches						
1,250	1.25 DIA	0.31 DIA	0.63 DIA	11.50	3.00	#8-32
2,500	1.62 DIA	0.37 DIA	0.70 DIA	11.50	3.00	#6-32
5,000	2.00 DIA	0.37 DIA	0.88 DIA	10.88	3.05	#8-32
10,000	2.50 DIA	0.50 DIA	0.88 DIA	12.63	3.05	#8-32
25,000---37,500	3.50 DIA	0.50 DIA	1.75 DIA	14.88	3.05	5/16-18
50,000	3.74 DIA	0.50 DIA	1.61 DIA	14.88	3.74	5/8-16
kg/mm (由上述尺寸转换)						
567	31.8 DIA	7.9 DIA	16.0 DIA	292.1	76.2	#8-32
1,134	41.1 DIA	9.5 DIA	17.8 DIA	292.1	76.2	#6-32
2,268	50.8 DIA	9.5 DIA	22.4 DIA	276.4	77.5	#8-32
4,535.9	63.5 DIA	12.7 DIA	22.4 DIA	320.8	77.5	#8-32
11,339.8---17,009.7	88.9 DIA	12.7 DIA	44.5 DIA	378.0	77.5	5/16-18
22,679.6	95.0 DIA	12.7 DIA	40.9 DIA	378.0	95.0	5/8-16

技术参数

相关量程	lb	1.25K	2.5K	5K; 10K; 25K	37.5K; 50K
产品毛重	kg/lb	-	3 / 6	-	18 / 39
灵敏度	mV/V	2.0 ± 1%			3.0 ± 1%
零位输出	mV/V	± 0.06			
非线性	%	< ± 0.023			
重复性	%	< ± 0.023			
滞后误差	%	< ± 0.023			
蠕变	%	< ± 0.030			
阻抗	Ω	350 ± 7			
额定激励电压	V(DC/AC)	10 (15V 最大)			
绝缘阻抗	GΩ	> 2 [50 VDC]			
正常工作温度范围	°C/°F	-10...40 / 14...104			
安全极限载荷	% of full scale	150			
破坏极限载荷	% of full scale	300			
密封方式		密封, IP67			

- Exc+ 红
- Sig+ 绿
- Exc- 黑
- Sig- 白
- 屏蔽线

可 选

- 耐高温 120°C [248°F]
- 六线制

可互换产品

制造商 _____ 型号 _____
Rice Lake.....RL7500SS