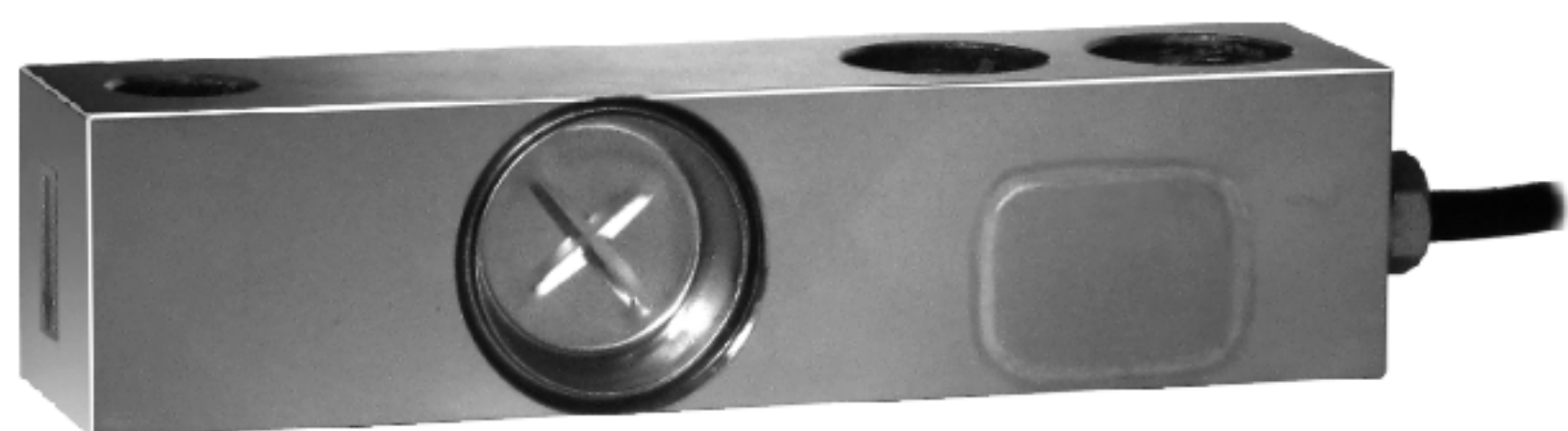


Rated Capacities 量程:  
500kg...2,000kg/1,000 lb... 10,000 lb

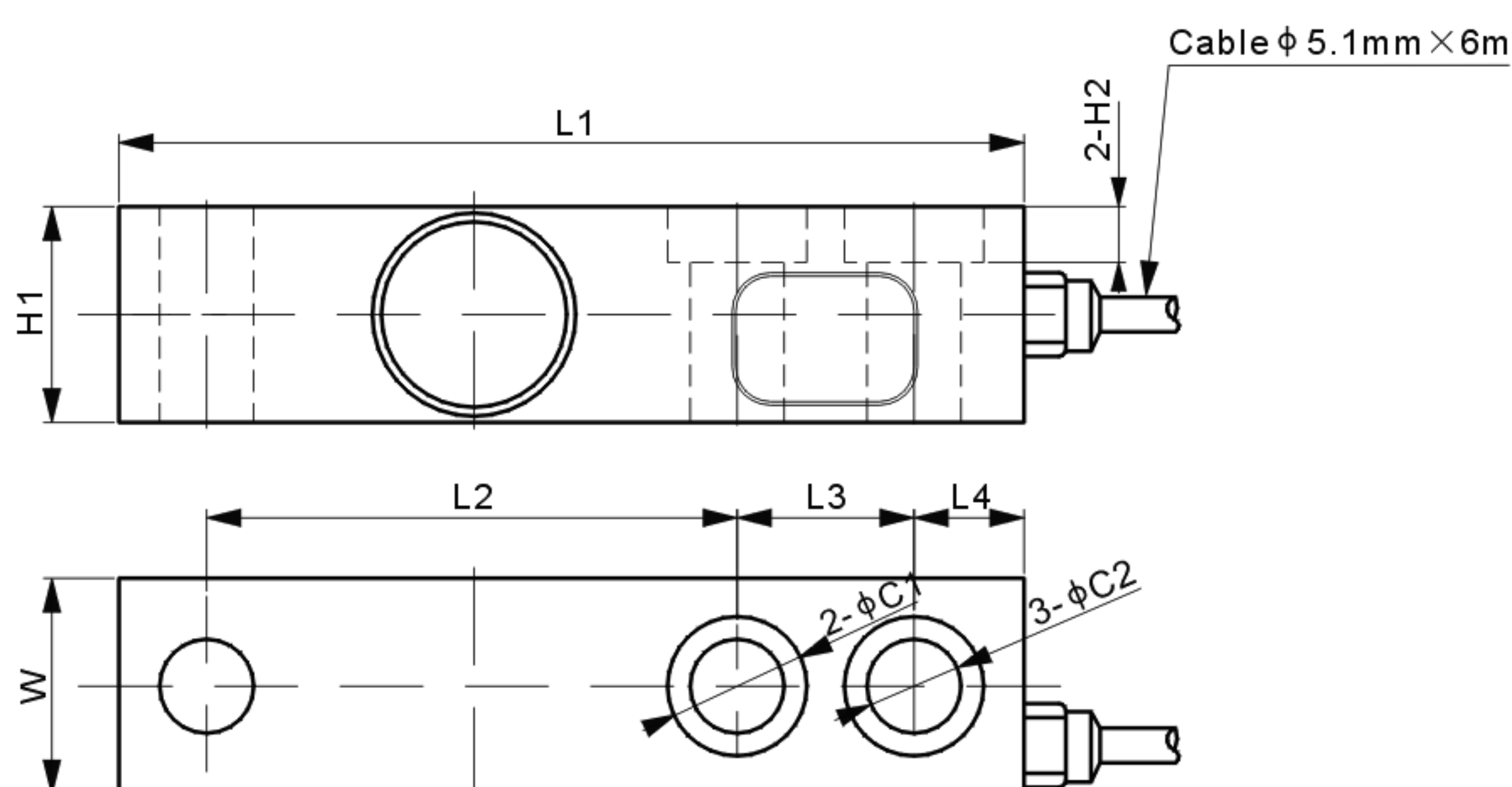


**563YSTH**

### Special features 特點:

- 563YSTH complies with NTEP 1:5 000 Class III, multiple cell  
563YSTH通過美國 NTEP 1:5 000 Class III, multiple cell 標準并符合 III 級秤標準
- Low profile & high sensitivity  
低外形高靈敏度
- Protection to IP68  
防護等級 IP68
- Hazardous area approved to Ex ib II CT4  
危險環境使用, 防爆 (Ex ib II CT4) 級
- Available Options 可選:
  - Service temperature range up to 120°C [248°F] 耐溫120°C [248°F]
  - Available with metric thread and imperial thread 公制和英制螺紋可選
  - 6-wire circuit 六綫制

### Dimensions 尺寸(in inches; 1 inch = 25.4mm)



RATED CAPACITY	C1	C2	H1	H2	L1	L2	L3	L4	W
<b>lb/inches</b> 1,000...4,000	0.79	0.53	1.21	0.31	5.12	3.00	1.00	0.62	1.22
<b>kg/mm</b> 500...2,000	20	13.5	30.8	8	130	76.2	25.4	15.8	31.0

**Technical Data** 技術參數

Type 型號		563YSTH
Accuracy class according to NTEP 準確度等級		NTEP 1:5 000 Class III, multiple cell
Minimum load cell verification interval (Vmin) 最小檢定分度值	% of Cn	0.02
Sensitivity (Cn) 靈敏度	mV/V	2 ± 0.25%
Zero balance 零位輸出	mV/V	± 0.06
Temperature effect on sensitivity (Tkc) 溫度對靈敏度的影響 *	% of Cn/K	< ± 0.0012
Temperature effect on zero balance (Tko) 溫度對零位元輸出的影響	% of Cn/K	< ± 0.0040
Non-linearity (dlin) 非線性 *	%	< ± 0.017
Repeatability (drep) 重復性 *	%	< ± 0.017
Hysteresis error (dhy) 滯後誤差 *	%	< ± 0.017
Creep (dDR) in 30 min. 蠕變	%	< ± 0.023
Input resistance (RLC) [ Red(+)-black(-) ] 輸入阻抗 [ 紅(+)-黑(-) ]	Ω	350 ± 7
Output resistance (Ro) [ Green(+)-white(-) ] 輸出阻抗 [ 綠(+)-白(-) ]	Ω	352 ± 3
Reference excitation voltage ( Uref ) 推薦激勵電壓	V(DC/AC)	0.5...10
Maximal excitation voltage 最大允許激勵電壓	V(DC/AC)	15
Insulation resistance ( Ris ) 絕緣阻抗	GΩ	>2 [ 50 VDC ]
Nominal temperature range 正常工作溫度範圍	°C [ °F ]	-10...+40 [ 15...+105 ]
Service temperature range 允許工作溫度範圍	°C [ °F ]	-18...+65 [ 0...+150 ]
Storage temperature range 存放溫度範圍	°C [ °F ]	-50...+85 [ -60...+185 ]
Safe load limit (EL) 安全極限載荷	% of Cn	150
Breaking load (Ed) 破壞極限載荷	% of Cn	300
Protection class (IP) acc. to IEC529 防護等級(國際電工委員會IEC529標準)		IP68
Material 彈性元件材料		Stainless Steel 不銹鋼
Optionally 可使用場合		Explosion proof version (Ex ib II CT4) 防爆 (Ex ib II CT4) 級

\* The data for deviation of linearity, repeatability, hysteresis error and temperature effect on sensitivity are typical values. The sum of these data meets the requirements according to NTEP 1:5 000 Class III, Multiple Cell  
非線性, 重復性, 滯後誤差和溫度對靈敏度輸出的影響等參數為典型的參數, 以上參數最終符合NTEP1:5 000 Class III, Multiple Cell 誤差帶的要求。