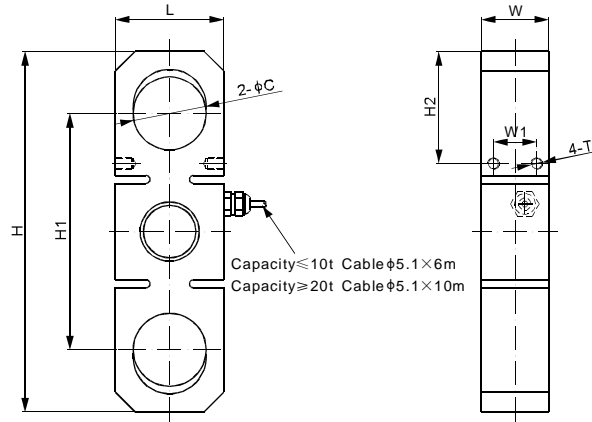
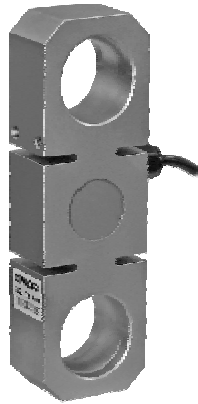


合金钢；吊秤专用；专利设计



CE RoHS IP 67

尺寸

量程	C	H	H1	H2	L	W	W1	T
kg/mm								
1,000	15.0	80.0	55.5	20.5	27.4	12.0	7.0	4-M3 Depth5
2,000	20.0	114.0	80.0	30.5	35.0	15.0	8.0	4-M3 Depth5
5,000	27.0	140.0	93.0	41.0	38.0	25.0	15.0	4-M6 Depth6
10,000	37.0	183.0	120.0	57.0	55.0	34.0	22.0	4-M6 Depth8
20,000	53.0	252.0	164.0	82.0	74.0	50.0	30.0	4-M6 Depth8
30,000	60.0	307.5	202.0	93.0	86.0	60.0	40.0	4-M8 Depth12
50,000	73.0	390.0	257.0	116.0	110.0	75.0	40.0	4-M12 Depth20
75,000	88.0	486.0	324.0	147.0	135.0	90.0	60.0	4-M12 Depth20
100,000	102.0	580.0	389.0	172.0	160.0	100.0	60.0	4-M12 Depth20
120,000	102.0	580.0	389.0	172.0	160.0	120.0	60.0	4-M12 Depth20
lb/inches (由上述尺寸转换)								
2,204.6	0.59	3.15	2.19	0.81	1.08	0.47	0.28	4-M3 Depth0.20
4,409.2	0.79	4.49	3.15	1.20	1.38	0.59	0.31	4-M3 Depth0.20
11,023.1	1.06	5.51	3.66	1.61	1.50	0.98	0.59	4-M6 Depth0.24
22,046.2	1.46	7.20	4.72	2.24	2.17	1.34	0.87	4-M6 Depth0.31
44,092.5	2.09	9.92	6.46	3.23	2.91	1.97	1.18	4-M6 Depth0.31
66,138.7	2.36	12.11	7.95	3.66	3.39	2.36	1.57	4-M8 Depth0.47
110,231.1	2.87	15.35	10.12	4.57	4.33	2.95	1.57	4-M12 Depth0.79
165,346.7	3.46	19.13	12.76	5.79	5.31	3.54	2.36	4-M12 Depth0.79
220,462.2	4.02	22.83	15.31	6.77	6.30	3.94	2.36	4-M12 Depth0.79
264,554.7	4.02	22.83	15.31	6.77	6.30	4.72	2.36	4-M12 Depth0.79

拉板式称重传感器

技术参数

相关量程	kg	1t; 2t; 5t; 10t; 20t; 30t; 50t; 75t; 100t; 120t
灵敏度	mV/V	3 ± 10%
零位输出	mV/V	± 0.05
非线性	%	< ± 0.017
重复性	%	< ± 0.017
滞后误差	%	< ± 0.017
蠕变	%	< ± 0.023
阻抗	Ω	350 ± 3
额定激励电压	V(DC/AC)	12 (18V 最大)
绝缘阻抗	GΩ	> 2 [50 VDC]
正常工作温度范围	°C/°F	-10...40 / 14...104
安全极限载荷	% of full scale	200
破坏极限载荷	% of full scale	400
密封方式		密封, IP67

