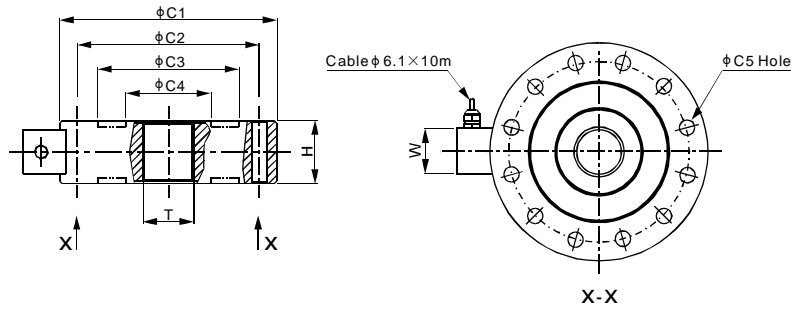
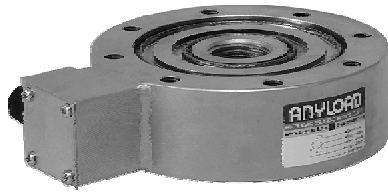


363YH



合金钢



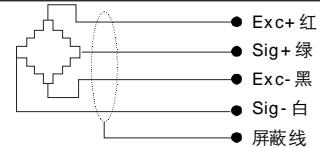
CE RoHS

尺寸

| 量程 | C1 | C2 | C3 | C4 | C5 | H | W | T |
|----------------------|-------|-------|-------|-------|----------|-------|------|---------|
| kg/mm | | | | | | | | |
| 1,000...5,000 | 113.0 | 97.0 | 76.0 | 42.0 | 8-φ7 | 35.0 | 32.0 | M24 X2 |
| 10,000; 20,000 | 155.0 | 130.0 | 101.0 | 61.0 | 12-φ11 | 45.0 | 32.0 | M36 X2 |
| 30,000 | 180.0 | 150.0 | 120.0 | 80.0 | 12-φ13 | 58.0 | 32.0 | M42 X2 |
| 50,000 | 205.0 | 165.0 | 120.0 | 80.0 | 16-φ13 | 64.0 | 32.0 | M42 X2 |
| 100,000 | 280.0 | 228.0 | 176.0 | 124.0 | 16-φ17 | 90.0 | 48.0 | M70 X3 |
| 150,000; 200,000 | 296.0 | 256.0 | 217.0 | 139.0 | 16-φ22 | 120.0 | 48.0 | M90 X3 |
| 300,000 | 346.0 | 282.0 | 236.0 | 180.0 | 16-φ26 | 180.0 | 48.0 | M120 X3 |
| lb/inches (由上述尺寸转换) | | | | | | | | |
| 2,204.6...11,023.1 | 4.45 | 3.82 | 2.99 | 1.65 | 8-φ0.28 | 1.38 | 1.26 | M24 X2 |
| 22,046.2...44,092.5 | 6.10 | 5.12 | 3.98 | 2.40 | 12-φ0.43 | 1.77 | 1.26 | M36 X2 |
| 66,138.7 | 7.09 | 5.91 | 4.72 | 3.15 | 12-φ0.51 | 2.28 | 1.26 | M42 X2 |
| 110,231.1 | 8.07 | 6.50 | 4.72 | 3.15 | 16-φ0.51 | 2.52 | 1.26 | M42 X2 |
| 220,462.3 | 11.02 | 8.98 | 6.93 | 4.88 | 16-φ0.67 | 3.54 | 1.89 | M70 X3 |
| 330,693.4; 440,924.5 | 11.65 | 10.08 | 8.54 | 5.47 | 16-φ0.87 | 4.72 | 1.89 | M90 X3 |
| 661,386.8 | 13.62 | 11.10 | 9.29 | 7.09 | 16-φ1.02 | 7.09 | 1.89 | M120 X3 |

技术参数

| | | | | | | | | |
|----------|-----------------|---------------------|----------|--------|---------|---------|------------|-----------|
| 相关量程 | kg | 1t; 2t; 3t; 5t | 10t; 20t | 30t | 50t | 100t | 150t; 200t | 300t |
| 产品毛重 | kg/lb | 3 / 6 | 6 / 12 | 9 / 21 | 14 / 31 | 37 / 81 | 47 / 104 | 120 / 265 |
| 灵敏度 | mV/V | 2 ± 1% | 2 ± 1% | | | | | |
| 零位输出 | mV/V | ± 0.04 | ± 0.04 | | | | | |
| 非线性 | % | < ± 0.050 | < ± 0.30 | | | | | |
| 重复性 | % | < ± 0.030 | < ± 0.20 | | | | | |
| 滞后误差 | % | < ± 0.050 | < ± 0.30 | | | | | |
| 蠕变 | % | < ± 0.050 | < ± 0.50 | | | | | |
| 阻抗 | Ω | 700 ± 5 | | | | | | |
| 额定激励电压 | V(DC/AC) | 10 (15V 最大) | | | | | | |
| 绝缘阻抗 | GΩ | >2 [50 VDC] | | | | | | |
| 正常工作温度范围 | °C/°F | -10...40 / 14...104 | | | | | | |
| 安全极限载荷 | % of full scale | 150 | | | | | | |
| 破坏极限载荷 | % of full scale | 300 | | | | | | |
| 密封方式 | | 密封, IP67 | | | | | | |

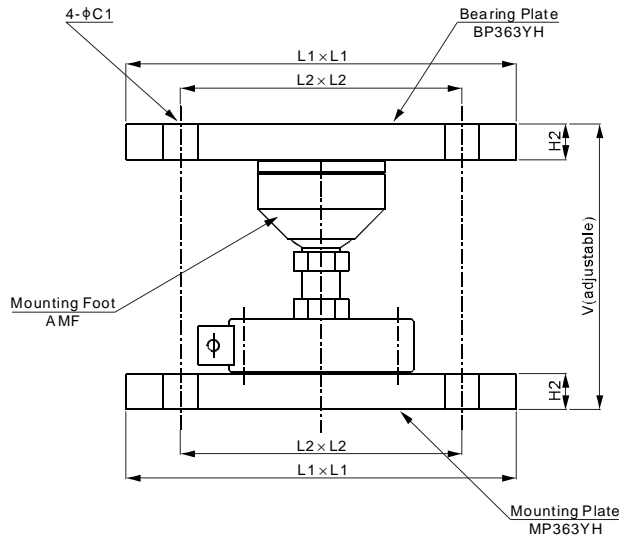
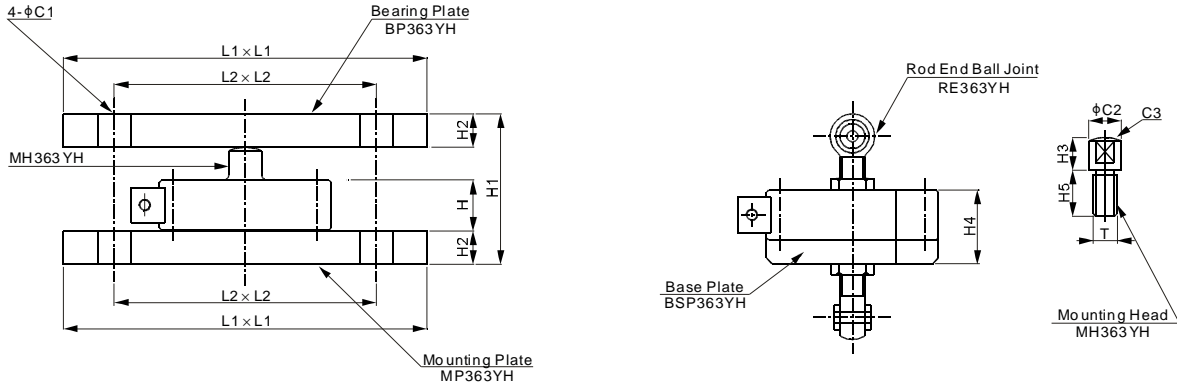


可 选

- 耐高温 120°C [248°F]
- 防雷击和大电流
- 六线制

圆盘和罐式称重传感器

363YH 称重传感器安装附件



尺寸

| 量程 | C1 | C2 | C3 | H | H1 | H2 | H3 | H4 | H5 | L1 | L2 | T |
|----------------------|------|-------|-------|-------|-------|-------|------|-------|------|-------|-------|---------|
| kg/mm | | | | | | | | | | | | |
| 1,000...5,000 | 14.0 | 27.0 | 85.0 | 35.0 | 89.0 | 23.0 | 8.0 | 64.0 | 25.0 | 150.0 | 128.0 | M24 X2 |
| 10,000; 20,000 | 18.0 | 45.0 | 150.0 | 45.0 | 123.0 | 28.0 | 22.0 | 90.0 | 38.0 | 200.0 | 140.0 | M36 X2 |
| 30,000 | 18.0 | 54.0 | 180.0 | 58.0 | 156.0 | 33.0 | 32.0 | 108.0 | 48.0 | 225.0 | 170.0 | M42 X2 |
| 50,000 | 18.0 | 64.0 | 200.0 | 64.0 | 182.0 | 38.0 | 42.0 | 114.0 | 54.0 | 250.0 | 200.0 | M42 X2 |
| 100,000 | 18.0 | 102.0 | 300.0 | 90.0 | 238.0 | 50.0 | 48.0 | - | 79.0 | 325.0 | 290.0 | M70 X3 |
| 15,000; 200,000 | 18.0 | 136.0 | 300.0 | 120.0 | 340.0 | 80.0 | 60.0 | - | 79.0 | 365.0 | 330.0 | M90 X3 |
| 300,000 | 18.0 | 160.0 | 500.0 | 180.0 | 460.0 | 100.0 | 80.0 | - | 90.0 | 405.0 | 370.0 | M120 X3 |
| lb/inches (由上述尺寸转换) | | | | | | | | | | | | |
| 2,204.6...11,023.1 | 0.55 | 1.06 | 3.35 | 1.38 | 3.50 | 0.91 | 0.31 | 2.52 | 0.98 | 5.91 | 5.04 | M24 X2 |
| 22,046.2; 44,092.5 | 0.71 | 1.77 | 5.91 | 1.77 | 4.84 | 1.10 | 0.87 | 3.54 | 1.50 | 7.87 | 5.51 | M36 X2 |
| 66,138.7 | 0.71 | 2.13 | 7.09 | 2.28 | 6.14 | 1.30 | 1.26 | 4.25 | 1.89 | 8.86 | 6.69 | M42 X2 |
| 110,231.1 | 0.71 | 2.52 | 7.87 | 2.52 | 7.17 | 1.50 | 1.65 | 4.49 | 2.13 | 9.84 | 7.87 | M42 X2 |
| 220,462.3 | 0.71 | 4.02 | 11.81 | 3.54 | 9.37 | 1.97 | 1.89 | - | 3.11 | 12.80 | 11.42 | M70 X3 |
| 330,693.4; 440,924.5 | 0.71 | 5.35 | 11.81 | 4.72 | 13.39 | 3.15 | 2.36 | - | 3.11 | 14.37 | 12.99 | M90 X3 |
| 661,386.8 | 0.71 | 6.30 | 19.69 | 7.09 | 18.11 | 3.94 | 3.15 | - | 3.54 | 15.94 | 14.57 | M120 X3 |

圆盘和罐式称重传感器