

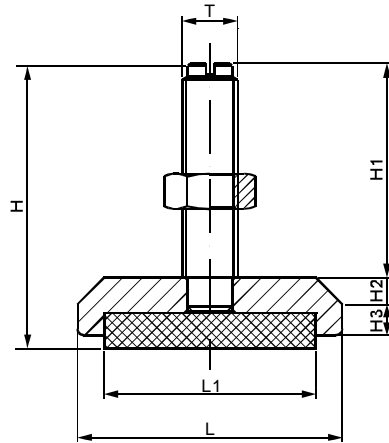
尺寸

量程	C	H	H1	H2	T
lb/inches					
500...SE5,000*	2.18	3.27	1.97	1.77...2.76	1/2-20 UNF-2B
500...SE5,000	2.76	3.86	1.85	2.60...3.27	1/2-20 UNF-2B
5,000; 10,000	3.78	4.13	2.24	2.95...3.39	3/4-16 UNF-2B
15,000; 20,000	5.04	5.63	2.95	3.54...4.57	1-14 UNS-2B
kg/mm					
100...2,000	55.4	83.1	50.0	45.0...70.0	M12X1.75
3,000; 5,000	96.0	105.0	57.0	75.0...86.0	M18X1.50
10,000	128.0	143.0	75.0	90.0...116.0	M24X2.00
20,000	192.0	170.0	87.0	90.0...138.0	M36X2.00

可 选

■ 不锈钢 AMFSS

*型号: AMF-E



尺寸

量程	H	H1	H2	H3	L	L1	T
lb/mm							
500...SE5,000	64.5	48.5	6	7	60 DIA	48 DIA	1/2-20 UNF
5,000...10,000	76.0	58.0	7	8	70 DIA	58 DIA	3/4-16 UNF
kg/mm							
100...2,000	64.5	48.5	6	7	60 DIA	48 DIA	M12×1.75
2,500...5,000	76.0	58.0	7	8	70 DIA	58 DIA	M18×1.50

可 选

■ 不锈钢 FMFSS