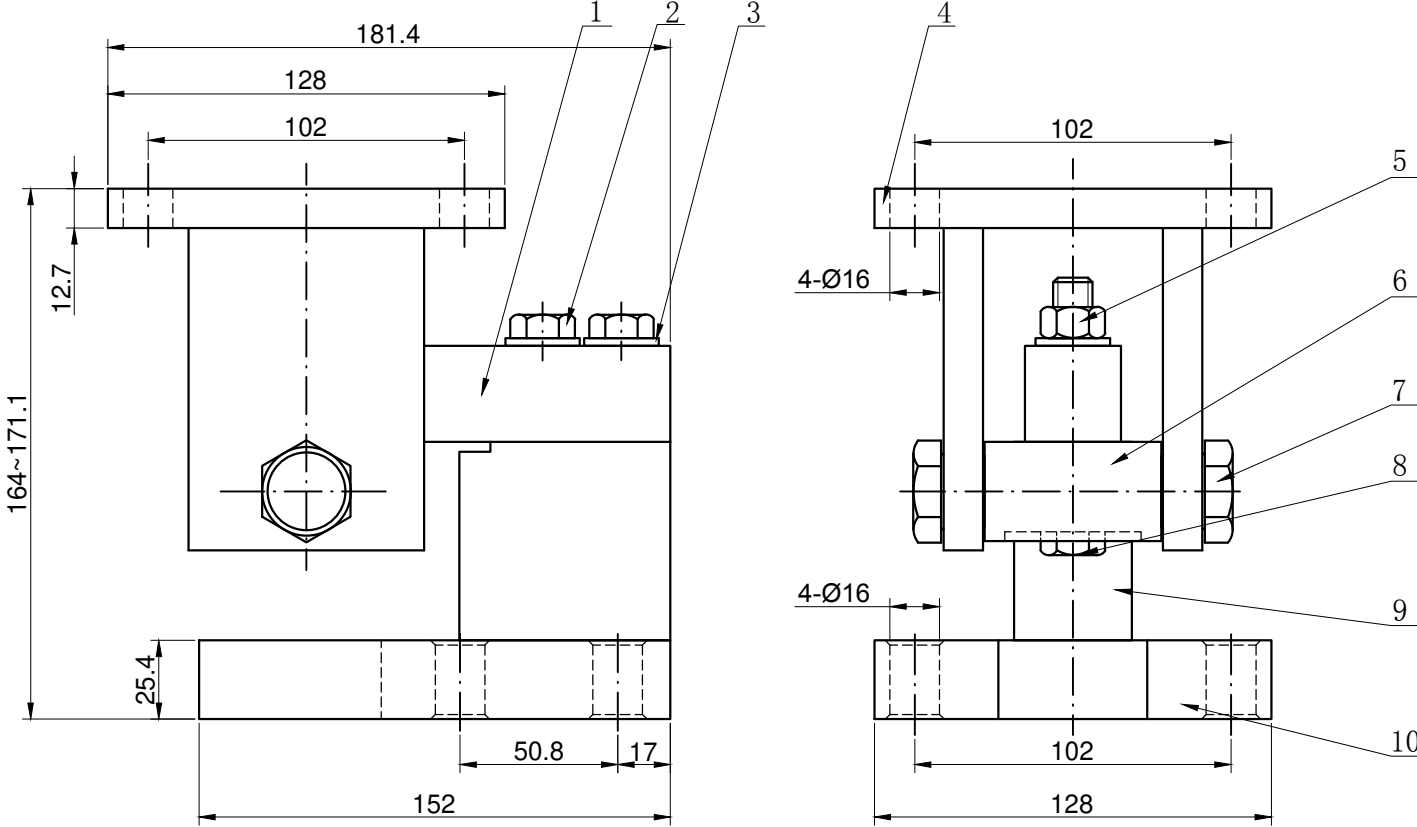


GENERAL REMARKS



10	BASE	Alloy Steel		1	
9	CUSHION	Alloy Steel		1	
8	BOLT 3	Alloy Steel		1	
7	BOLT 2	Alloy Steel		2	
6	LINK	Alloy Steel		1	
5	NUT	Alloy Steel		1	
4	CHAIR	Alloy Steel		1	
3	WASHER	Alloy Steel		3	
2	BOLT 1	Alloy Steel		2	
1	LOAD CELL	Alloy Steel		1	563YH , 100lb to SE5Klb , not included
ITEM	DESCRIPTION	MATERIAL	PART NUMBER	QTY	REMARKS

**IMPORTANT NOTICE**  
 This document consisting confidential proprietary information belongs to ANYLOAD who retains all copy and other rights. This document is submitted under a confidential relationship for specific purpose, and the receipt agrees by accepting this document not to supply or disclose any information regarding it to any unauthorized person.

APPROVED	DATE
V0 APPROVED George. G	DATE 21-11-10
CHECKED Tryke. H	DATE 21-11-10
DRAWN Allen. Z	DATE 21-11-10
<b>ANYLOAD</b>	
TITLE:	
563YHM2- (0.1-SE5)K1b General Arrangement	
DRAWING NO: LM0604055	
PROJECTION:	⊕ SHEET 1 OF 1